



**We take care of movement. You decide where to go.**



GURA Universal Flexible Roller Conveyors can be used in all areas of the in-house transport of goods where a flexible routing is needed. It has a patented system which has been optimized and adapted to the newest requirements of the in-house logistic structures.

The especially high quality standard is based on the experiences with many different appliances and the competence of our committed employees. A special feature of the flexible roller conveyor is its extreme flexible handling. The mobility and adjustable length of this conveyor can master all kinds of material flow situations.

Goods can not only be moved horizontally; by adjusting the conveyor stands the desired decline is created in no time. You can either create a straight line or you can easily form curves up to 180°. The goods will be able to follow the course chosen without guide rail. In addition to the standard types we can develop and produce customized conveyors within a very short period of time:

Above-average width, height adjustable, rack-type version, etc. You choose your version of the conveyor module according to the requirements of the goods to be conveyed. This means you are dealing with a system including all customer requirements.



GS Certification of the Technical Inspection Agency of the Rhineland (TÜV Rheinland)

Ancillary Equipment:



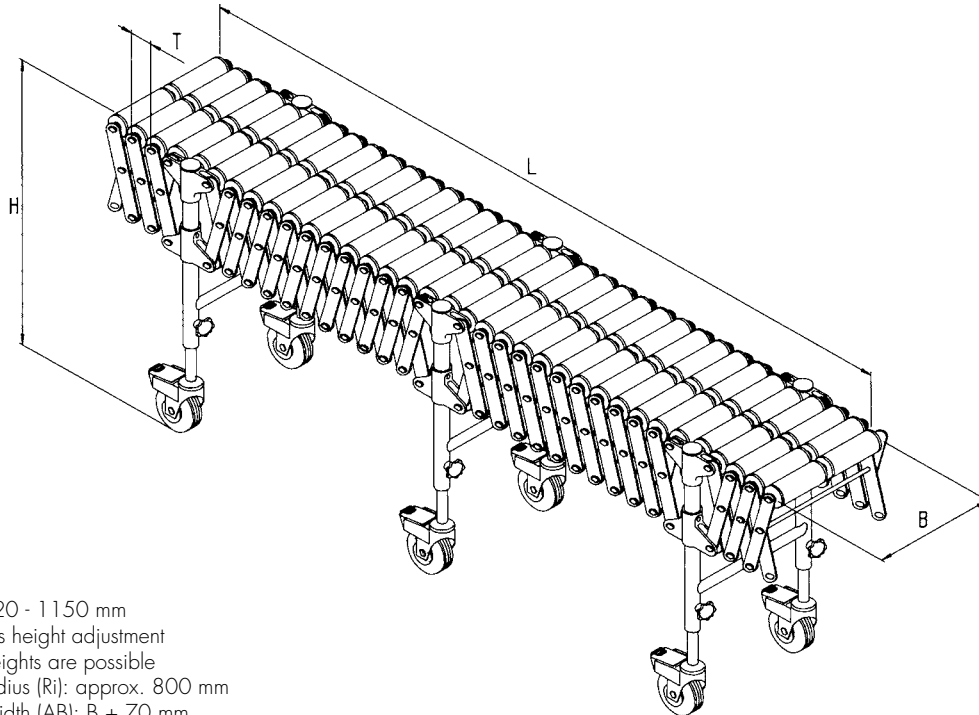
Hinged End Stop



Connecting Component

**GURA Universal Flexible Roller Conveyor**

- Bed widths: from 300 mm to more than 1200 mm in modular dimension
- Extracted track length up to approx. 10 m possible
- Continuous height adjustment: 720 - 1150 mm
- When contracted it has only a small space requirement
- Durable, bright zinc-plated version
- Mobile with lock-type swivelling castors to guarantee a safe standing
- Curves up to a max. of 180° are possible
- Conveyor rollers: steel zinc-plated, aluminium, plastic (depending on application), Ø 50 mm
- Large-scale ancillary equipment: end stops, connecting components and supports to be attached to existing conveyor modules
- Customized modules: eg. rack-type or powered versions
- Huge product know-how with 50 years of experience, continuous quality surveillance and ongoing development



Height: 720 - 1150 mm  
 Continuous height adjustment  
 Special heights are possible  
 Internal radius (Ri): approx. 800 mm  
 External width (AB): B + 70 mm

Order No. 12000...	B [mm]	Number of Axles	Number of Crosses	Roller per Axle	Number of Legs	T min. [mm]	T max. [mm]	L min. [mm]	L max. [mm]	Maximum Load between 2 Legs [daN]	Weight with Steel Rollers [kg]	Weight with Plastic Rollers [kg]
313 2KU	300	35	2	1	3	52	150	1900	4500	100	68	60
314 2KU		48			4			2500	6300		91	81
315 2KU		61			5			3200	8000		114	102
316 2KU		74			6			3900	9800		137	123
423 2KU	400	35	2	2	3	52	150	1900	4500	100	82	68
424 2KU		48			4			2500	6300		105	90
425 2KU		61			5			3200	8000		135	112
426 2KU		74			6			3900	9800		165	134
523 3KU	500	35	3	2	3	52	150	1900	4500	125	95	74
524 3KU		48			4			2500	6300		130	102
525 3KU		61			5			3200	8000		165	130
526 3KU		74			6			3900	9800		192	158
643 3KU	600	35	3	4	3	52	150	1900	4500	125	107	81
644 3KU		48			4			2500	6300		144	114
645 3KU		61			5			3200	8000		183	147
646 3KU		74			6			3900	9800		217	182
843 3KU	800	35	3	4	3	52	150	1900	4500	125	119	89
844 3KU		48			4			2500	6300		158	126
845 3KU		61			5			3200	8000		201	164
846 3KU		74			6			3900	9800		242	206
1043 3KU	1000	35	3	4	3	52	150	1900	4500	125	129	89
1044 3KU		48			4			2500	6300		174	140
1045 3KU		61			5			3200	8000		211	175
1046 3KU		74			6			3900	9800		268	231
1263 4KU	1200	35	4	6	3	52	150	1900	4500	150	159	119
1264 4KU		48			4			2500	6300		204	170
1265 4KU		61			5			3200	8000		249	200
1266 4KU		74			6			3900	9800		312	262

KU = blue plastic rollers; available on request, SV = zinc-plated steel rollers